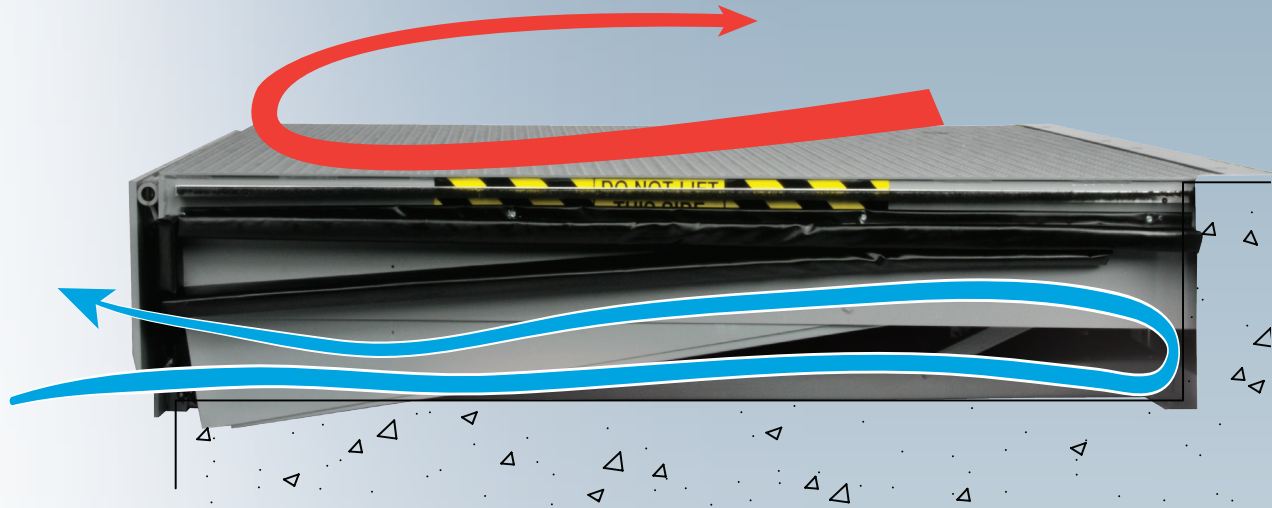


ENERGY GUARD[®] Retrofit Kits



- ▼ **Helps prevent mass flow of air - minimizing transfer of energy into and out of the facility**
- ▼ **Seals off gaps around sides and rear of dock leveler**
- ▼ **Effective perimeter seal (sides & back) up to 9" above dock**
- ▼ **Available for most Kelley, Serco and some competitive dock levelers**
- ▼ **Easy pit access for cleaning and maintenance**



APS Resource[®]
Your Aftermarket Solution

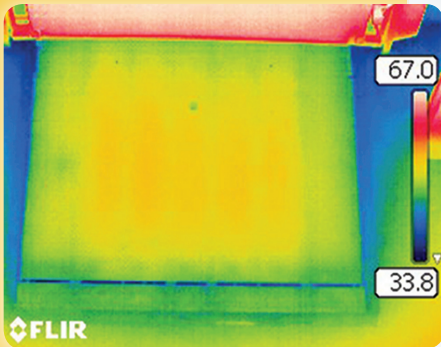
©2011 4Front Engineered Solutions, Inc. - APS Resource

ENERGY GUARD® Retrofit Kits

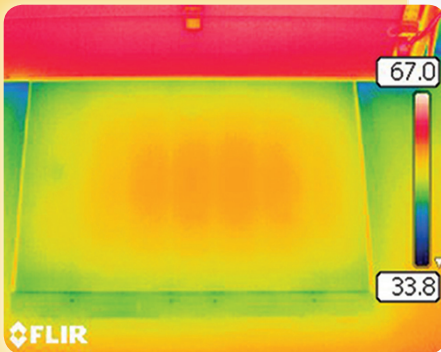
ENERGY GUARD® provides a superior perimeter seal along the sides and rear of your dock leveler and blocks dirt, debris, insects and most importantly prevents energy loss. The innovative design closes off the gaps between the dock leveler and concrete pit walls - typically missed by traditional weather seal or under-leveler seals attached to the front of the dock leveler. ENERGY GUARD prevents the mass flow of air, minimizing the transfer of heat and energy into and out of the facility.

ENERGY GUARD® Retrofit Kits Feature:

- Fits common dock leveler widths- 6', 6.5' and 7' and common dock leveler lengths- 6', 8' and 10'
- Triangular shaped side seal assemblies are open cell foam encapsulated with reinforced vinyl
- Rear hinge seal constructed of durable 2-ply material, die cut to fit around the rear hinges of the dock leveler
- Patent pending design avoids risk of fabric being cut, torn or damaged by trailers or debris, resulting in expensive replacement
- Unrestricted access to pit for cleaning and dock leveler inspection. No curtains or fabric blocking access to the dock leveler and pit



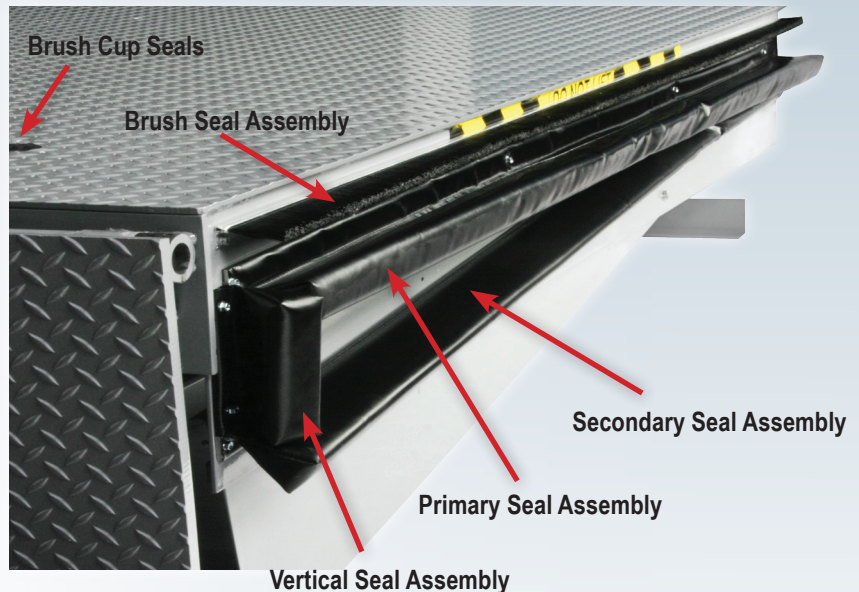
BEFORE: Hot or cold air can easily transfer through perimeter gaps.



AFTER: ENERGY GUARD effectively seals off the perimeter gaps.



ENERGY GUARD components seal all leveler openings



Dual side sealing system is effective up to 9" above dock



APS Resource®
Your Aftermarket Solution